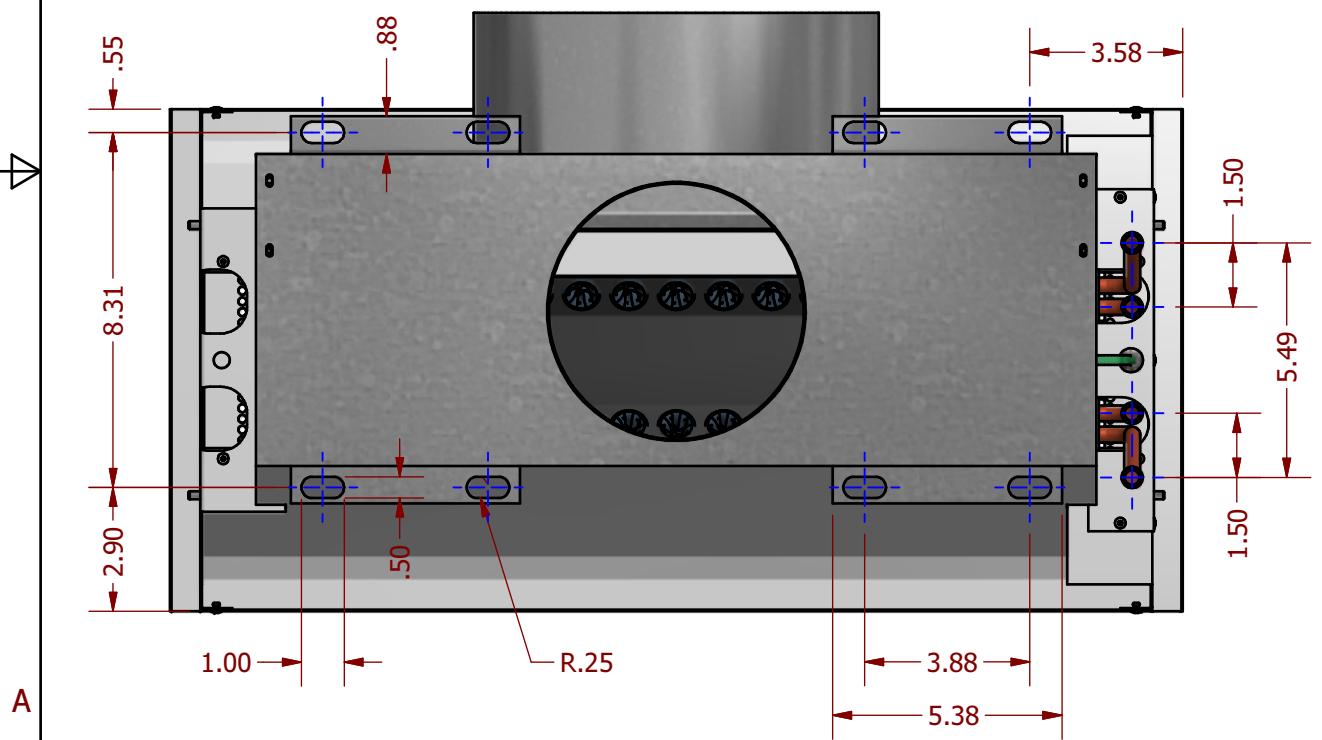


TABLE 1	
REF.	DIAMETER
4" ROUND	4.00"
6" ROUND	6.00"
8" ELLIPTICAL	6.43" X 9.38"

TABLE 3 AVAILABLE OPTIONS	
<input type="checkbox"/>	Ø1/2" O.D. SWEAT CONNECTION
<input type="checkbox"/>	Ø1/2" FEMALE NPT CONNECTION
<input type="checkbox"/>	Ø1/2" MALE NPT CONNECTION

TABLE 2			
NOMINAL UNIT LENGTH (ft)	UNIT LENGTH (in)	DRY WEIGHT (lbs)	WET WEIGHT (lb)
2	23.75	17	18
4	47.75	34	35
6	71.75	51	53
8	95.75	68	71
10	119.75	85	88



TOP VIEW

- NOTES:**
- DRAWING INDICATES "C" AND "E" AIR AND C" COIL CONNECTION HANDINGS (REFER TO MODEL HANDING CONFIGURATION KEY FOR AVAILABLE OPTIONS)
 - FACE COLOR WILL BE STANDARD WHITE UNLESS SPECIFIED OTHERWISE.

4 PIPE ACB45 SUBMITTAL DRAWING						
STRICTLY CONFIDENTIAL			DADANCO - A MESTEK CO.			
DADANCO - A MESTEK CO. 47 Westfield Industrial Park Rd WESTFIELD, MA 01085 Ph. (413) 564-5657, Fax. (413) 568-2969 www.dadanco.com			ACB45/55			
DRN	TS	6/20/2020			TITLE	
CKD	SL	6/20/2020			PROJECT NO: ACB45	
APPD	SL	6/20/2020			SCALE: NTS	
ISSUED	AG		FILE NAME: ACB45_4PIPE_024.iam			
UNLESS NOTED OTHERWISE ALL DIMENSIONS IN INCHES			ANSI STANDARD			
ANGULAR TOL: 1.0° LINEAR TOL: ±0.02"			SHEET: 1 / 1			
			RELEASE A			